

## Card Installation Guide

### 1.0 Introduction

These instructions describe how to install replacement or upgrade cards in the D6600 Communications Receiver/Gateway.



The D6600 provides eight line card slots and one CPU card slot. Be sure to install the cards in the correct slots. Refer to *Figure 2*.

### 2.0 Installation Considerations

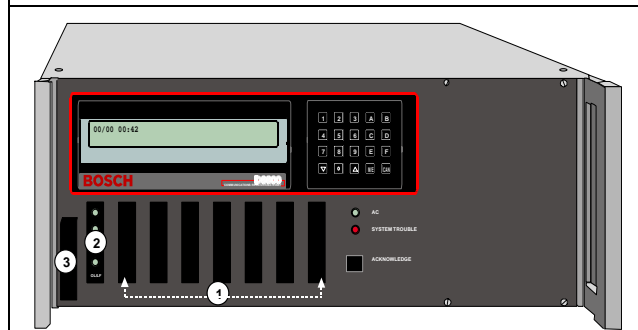
- The D6600 provides eight line card slots: one D6641 Card and D6645 Termination Card combination is factory-installed (refer to *Figure 1* and *Figure 2*).
- You must install a D6640 or D6641 Line Card and a D6645 Termination Card together.

For SafeCom applications:

- You must install a D6690 DataCom Card and a D6695 Termination Card together.
- A D6691 DataCom Expansion Card provides an additional four channels for locations that require more than four channels.
- A D6690 DataCom Card with a D6691 Expansion Card requires two adjacent slots and two D6695 Termination Cards.

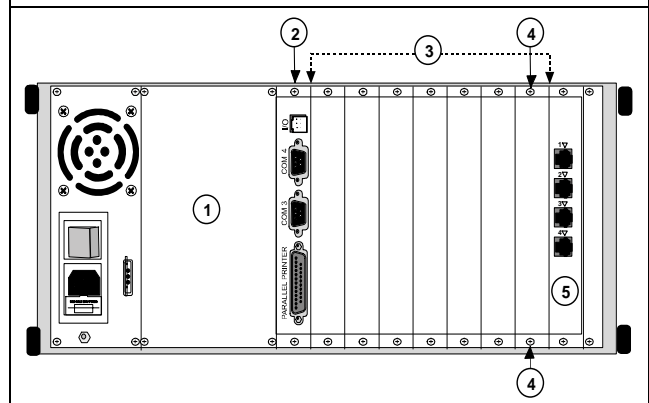
### 3.0 Installation Instructions

Figure 1: D6600 Front Panel



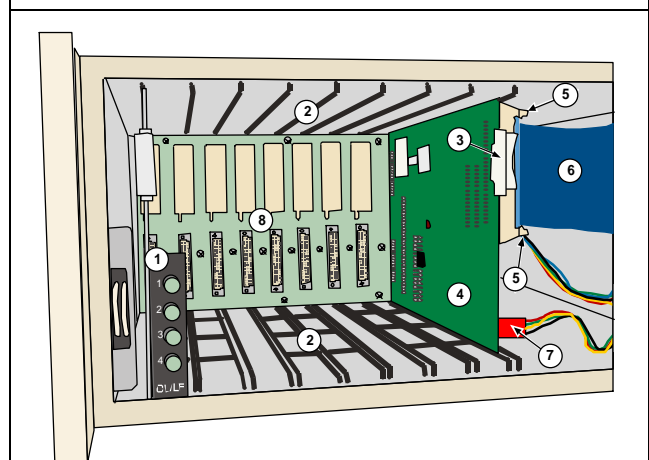
- 1 - Removable line card slot covers
- 2 - D6641 Line Card (factory installed)
- 3 - Door handle, secures with magnets

Figure 2: D6600 Rear Panel



- 1 - D6672 Serial Expansion Kit slot (optional)
- 2 - D6615 CPU Termination Card slot
- 3 - Line termination card slot cover
- 4 - Card slot screw (two per plate)
- 5 - D6645 Line Termination Card (factory installed)

Figure 3: D6600 Internal Front View



- 1 - D6641 Line Card (factory installed)
- 2 - Plastic card guides
- 3 - Plastic tab for installing/removing CPU Card
- 4 - D6610 CPU Card
- 5 - Ribbon cable tabs
- 6 - Ribbon cable
- 7 - LED enable cable
- 8 - D6600 backplane

Refer to *Figure 1*, *Figure 2*, and *Figure 3* for the instructions in *Sections 3.1*, *3.2*, and *3.3*.

## 3.1 Termination Card Installation

To install the D6645 or D6695 Termination Card:

1. If you are installing a replacement termination card, remove the old card:
  - a. Open the D6600 front door and pull the corresponding line card until it disconnects from the termination card and the D6600 backplane.
  - b. Remove the two screws securing the old termination card to the rear panel.
  - c. Remove the old termination card.
2. If you are installing a new termination card, locate the correct slot and remove the two screws securing the blank plate to the rear panel.
3. Position the new termination card so the 48-pin connector fits through the opening in the backplane and secure to the rear panel with two screws.
4. Install the new line card (refer to *Section 3.2 Line Card Installation*) or push the existing line card back into the D6600 until it connects to the termination card and the backplane.
5. Close the D6600 door.



If the door does not shut properly, check that the line card is fully seated.

## 3.2 Line Card Installation

To install the D6640, D6641, or D6690 Line Card:

1. Open the D6600 front door.
2. If you are installing a replacement line card, remove the existing card:
  - a. Pull the line card until it disconnects from the termination card and the D6600 backplane.
  - b. Remove the line card from the D6600.
3. Ensure the new termination card is installed in the correct slot (refer to *Section 3.1 Termination Card Installation*) (two termination cards are required if using the D6691 DataCom Expansion Card).
4. If necessary, attach the D6691 DataCom Expansion Card (refer to *Section 3.4 Expansion Card Installation*) to the line card.
5. Align the line card in the top and bottom guides and push until it connects with the termination card and the D6600 backplane.
6. Close the D6600 door.



If the door does not shut properly, check that the line card is fully seated.

7. Program the line card. Refer to the *D6600 Program Entry Guide* (P/N: 4998122702).

## 3.3 CPU Card Replacement

To replace the D6610 CPU Card and D6615 CPU Termination Card:

1. Remove power from the D6600 and open the front door.
2. Pull the D6610 CPU Card by the white plastic grip until it disconnects from the D6615 CPU Termination Card and the D6600 backplane.
3. Remove the screws securing the D6615 CPU Termination Card to the D6600 rear panel and remove the card.

On the rear panel, the CPU slot is the first slot to the right of the larger slot designated for the D6672 Serial Expansion Kit.

4. Remove the existing D6610 CPU Card:
  - a. Disconnect the 4-wire LED enable cable from the card.
  - b. Slide the card out until you can easily reach the ribbon cable connector.
  - c. Disconnect the ribbon cable and remove the card.
5. Install the new D6615 CPU Termination Card:
  - a. Orient the card so that the 48-pin connector fits through the opening in the D6600 backplane.
  - b. Secure the card to the rear panel with two screws.
6. Install the new D6610 CPU Card:
  - a. Orient the card so that the ribbon cable connector faces to the right and align the card in the top and bottom guides.
  - b. Slide the card partially into the D6600.
  - c. Connect the ribbon cable to the D6610 CPU Card.
  - d. Push the card into the D6600 until it connects with the D6615 Termination Card and the D6600 backplane.
7. Close the D6600 door and apply power.



If the door does not shut properly, check that the line card is fully seated.

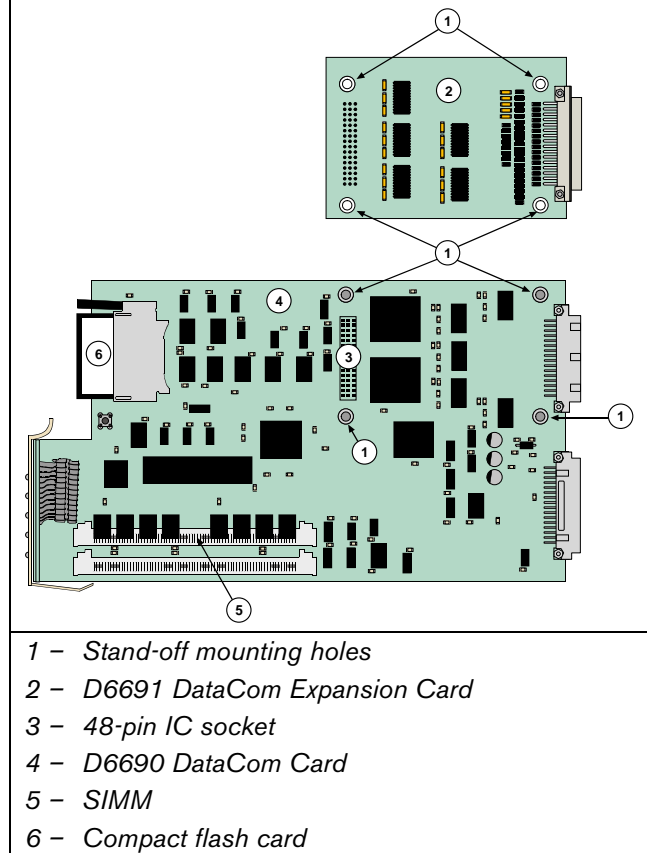
8. Load the backup CPU parameters into the new D6610 CPU Card using the D6200 Software. Refer to the *D6200 Operation and Installation Guide* (P/N: 4998154991).

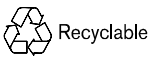
### 3.4 Expansion Card Installation

To install the D6691 DataCom Expansion Card on the D6690 DataCom Card (refer to *Figure 4*):

1. Verify the compact flash card and the SIMM are installed on the D6690 DataCom Card.
2. Attach the four hexagonal stand-offs to the front of the D6690 Card. Secure the stand-offs through the mounting holes from the back with four screws and washers.
3. Align the D6691 mounting holes to the four stand-offs so the long pins on the D6691 align with the 48-pin IC socket on the D6690.
4. Push firmly until the pins connect with the socket and the D6691 rests squarely on the four stand-offs. You might have to rock the D6691 gently until the pins connect completely.
5. Secure the D6691 to the four standoffs with screws and washers.
6. Install the expanded D6690 DataCom Card (refer to *Section 3.2 Line Card Installation*).

**Figure 4: Expansion Card Installation**





Recyclable